



Advanced Configuration

Ecological and economical

- ▶ Cummins engine with low fuel consumption, low emission can provide strong power
- ▶ High pressure common rail system improve combustion efficiency
- ▶ With optimized engine power curves and low speed large torque output

Multiple applications

- ▶ Different boom and bucket combinations maximize utilization of different conditions
- ▶ Multi-functional machine system meets various job requirements such as digging and crushing

Comfortable operating experience

- ▶ Air Conditioner and Heater and multi-channel stereo air input system ensure the appropriate temperature
- ▶ Equipped with advanced audio system
- ▶ The cab equipped with hydraulic shock absorbers has multi-directional and multi-level adjustment functions



Excellent after-sales service

- ▶ Global after-sales service system and quick response mechanism
- ▶ Real-time technical consultation and maintenance

Convenient maintenance

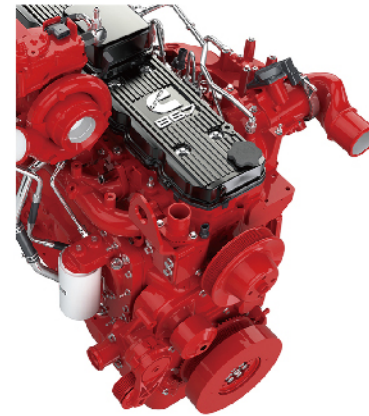
- ▶ Easy maintenance design concept makes your maintenance done without dead angle
- ▶ Daily maintenance points are within your reach

Safe and durable

- ▶ Upgraded undercarriage structure improves load bearing performance
- ▶ Strengthened key stress-bearing parts of chain links
- ▶ Strengthened and wear-resistant bucket is more durable

Ecological And Economical

- ▶ With Cummins imported electronic fuel injection engine adopted, the machine has stronger power and higher fuel economy.
- ▶ New generation hydraulic components have higher efficiency, more accurate control and higher reliability with combination of latest research achievements so that reliable strong digging force and excellent operating efficiency are ensured.



- ▶ A new generation of intelligent electronic control system, which integrates intelligence, environmental protection and safety, to achieve the balance of power and hydraulic load; Intelligent electronic control can achieve remote control, with new memory function, the operation process will be recorded at any time, and power conversion device will optimize power use.
- ▶ With optimized engine power curves and low speed large torque output, the fuel consumption is greatly reduced while providing strong power, which satisfies dynamic balance and economy of power output and fuel consumption in heavy-load mode.
- ▶ The self-developed intelligent control system realizes high efficiency and low fuel consumption in mine heavy-load mode through automatic flow distribution and accurate power matching control.

Comfortable And Reliable

Driver's cab

- ▶ With high strength pillar with irregular shape adopted, the rigidity of driver's cab is greatly improved and safety is guaranteed.
- ▶ Anti-rolling cab is equipped, top protection, front protection and side protection can be installed to meet the requirements of falling objects so as to further improve safety of the cab.

Wide field of vision

- ▶ The panoramic sunroof design brings wider field of vision. Centralized arrangement of the buttons makes driving experience be overall upgraded.

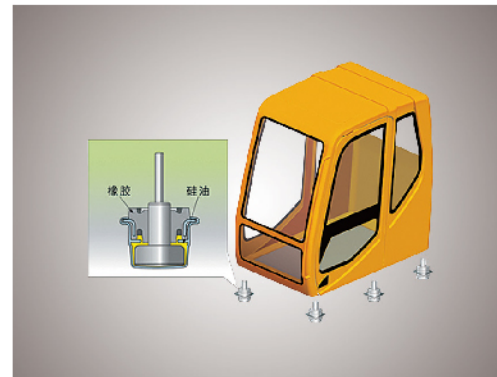
Trim arrangement

- ▶ Brand new interior design, commonly used electrical switches and spare switches are integrated in the right side interior trims, centralized location brings easy operation.
- ▶ The mounting holes for low temperature start, quick change and other expansion function are reserved.
- ▶ Brand new electronic air conditioning system provides strong refrigerating and heating capability, and the automatic adjustment thermostat of air conditioner provides the comfortable temperature that is the most suitable for human body.



Comfortable damping

- ▶ Damping spring is added inside high performance silicone oil shock absorber, which can effectively isolate the shock wave in specific frequency band and improve comfort



Reliable And Durable

- ▶ The structure of middle filling grease is adopted at the root of front end of arm so that reliability is improved. New type bucket design improves abrasive resistance, enhances the strength of ear plates and arc plates and improves service life.
- ▶ The travelling mechanism adopts strengthened key parts of the chain rails bearing stress to improve the strength and impact resistance of the chain rails, and the service life of the track is greatly improved. The butter dish is changed from welding parts to integral stamping parts, which ensures the installation roundness of the sealing ring, prevents the sealing ring from wrinkling and improves the sealing performance. With strengthened X-beam section, and the strength of the end face is greatly improved by increasing the size, thickness and structure of the box beam.

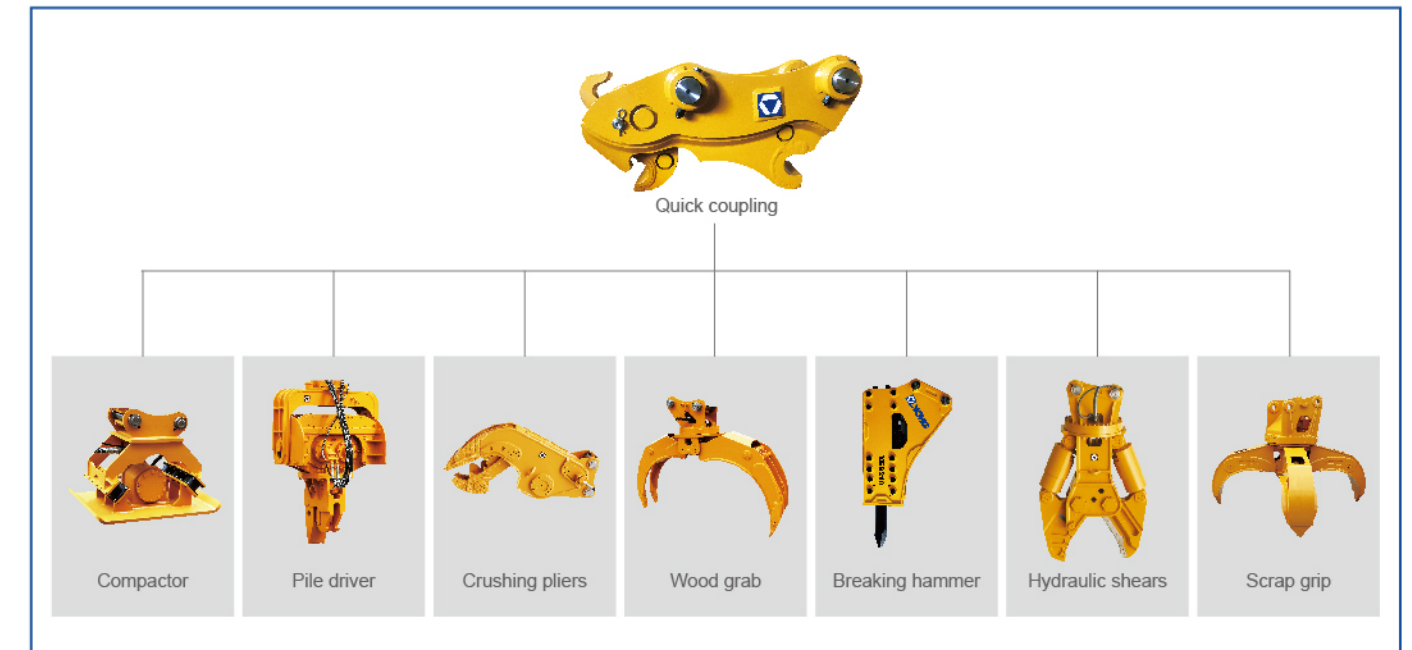


Intelligent Control

- ▶ The intelligent electronic control system can achieve integrated control for engine speed and input power of hydraulic pump, meanwhile remote fault monitoring and self-diagnostic function is available.
- ▶ With convenient mobile phone APP micro service, location of excavator, operating conditions, working hours, fuel consumption and maintenance period can be mastered anytime anywhere.
- ▶ Autonomous controller collects the altitude of vehicle position and engine intake pressure, automatically determines and confirms database, and reminds the operator on the display to select plateau model.

Multiple Application Condition

- ▶ The independently developed multi-functional intelligent work tool control system can realize crushing, shearing, cleaning, compacting, milling, transporting, pinching, grasping, scraping, loosening, lifting, and other operations, and can truly integrate multiple operations into one machine.
- ▶ Different boom and bucket combinations can adapt to various working conditions



Maintenance And Service

- ▶ Daily maintenance points are within your reach: Whether it is fuel filter, oil filter, pilot filter, you can directly service it on the ground, the operation is easy and cost saving.
- ▶ A wide range of after-sales service system, quick-response rescue mechanism can ensure that you use at ease





It is widely used in earthworks, municipal construction, highway and bridge construction, ditches and ditches digging, irrigation and water conservancy construction, small mine operation and other projects. Reinforced chassis, wide gauge, more reliable and durable. New cab with comfortable and safe operation and new appearance of the whole machine; Enhanced large bucket capacity design, new optimized bucket type, good adaptability to multiple working conditions, greatly improved operating efficiency. The independent development of intelligent control system, through the automatic regulation of flow distribution and accurate power matching control, the mine heavy load efficient, low consumption.

Standard Configuration

	Name of equipment	XE245DK
Engine	Engine model	QSB6.7
	Automatic preheating	
	Oil-water separator with water level indication sensor	
	Radial seal air cleaner	
	Air prefilter	
	Radiator dust screen	
	Fuel breather valve	
	Fuel marker	
	Oil-water quick release device	
	Fuel marker	
Hydraulic system	Air pressure difference indicator	
	Automatic idle speed	
	Boom/arm flow regeneration	
	Auxiliary hydraulic valve	
	Reverse rotation damping valve	
	Automatic rotation parking brake	
	Hydraulic buffer valve	
	Straight hydraulic circuit	
	Boom priority valve	
	Rotary logic valve	
Cab and interior trim	Hydraulic oil ISO VG 46	
	Rotary anti-sway valve	
	Gauge pressure monitoring	
	Pressurized cab	
	Fully adjustable mechanical suspension seat	
	Adjustable seat armrest	

	Seat belt (51 mm [2 "] wide)
	Openable windscreen with auxiliary device
	Double laminated windshield and other toughened windows
	Sliding door upper window
	Bi-directional air outlet air conditioner with defroster (automatic type) (pressurization function)
	Color liquid crystal display capable of displaying warning information, filter / liquid replacement information and working hours
Cab and interior trim	Control handle
	Travel control pedal with detachable manual control lever
	Two stereo speakers
	Beverage cup holder
	Coat and hat hook
	Cleanable floor mat
	Air conditioning system
	High and low gears shift
	One-key boost mode
	Top sunroof
Safety and security configuration	Intermittent multi-gear wiper
	Cup holder/envelope
	Radio receiver
	Driving door locks and cabin locks
	Alarm horn
	Isolation plate between engine and oil pump chamber
	Rear window emergency exit
	Battery circuit breaker
	Boom and arm retaining valve
	Overheat alarm
Safety handrails and pedals	

	Anti-skid plate/anti-skid paste
Safety and security configuration	Hydraulic safety locking lever
	Emergency escape hammer
	Left and right rearview mirrors
Chassis system and shield	Bottom frame traction ring
	600 mm (24 ") three-rib track shoe
	Protective device kit: chassis bottom sealing plate, walking motor sealing plate
	single guardrail device of track
Working device	Boom 6.0m
	Arm 2.964m
	Bucket 1.3m ³ strengthened bucket
Lamp	Boom working lamp at left and right side
	Working lamp installed on the right side of storage box
Electrical system	Lamp inside the cab
	Battery (2×850CCA)
	70A Alternator
	7.8KW start motor
	24V Cigar lighter
Counterweight	5.4t Counterweight

Engine	Rapid fuel filling system
Hydraulic system	Hydraulic pipeline: quartering hammer
	Operating modes switch
Cab and interior trim	Hydraulic oil ISO VG 32, 68
	Spare valve disc
	Retractable seat belt (51 mm [2 "] wide)
	Retractable seat belt (51 mm [2 "] wide)
Safety and security configuration	Vehicle mounted oxygen supply device
	Fire extinguisher
	Explosion-proof valve of boom and arm pipeline
	Rotating alarm light
	Counterweight rearview mirror
Chassis system and shield	Roll off protection structure (ROPS)
	Falling object protective structure (FOPS)
	600 mm (24 ") double-rib track plate
	700 mm (28 ") double-rib track plate
	800 mm (31 ") double-rib track plate
	700 mm (28 ") three-rib track plate
	800 mm (31 ") three-rib track plate
	Track rubber block
	Track double rail protector
	Full-length track guard (two-piece, lower frame needs to be replaced)
Working device	Arm 2.5m
	0.9m ³ Rock bucket
	1.4m ³ Earthwork bucket
	Quick coupler
	Hydraulic breaker
	Travel alarm

Optional Configuration

	Name of equipment	XE245DK
Engine	Oil-water separator with heater (24V)	
	Oil bath type air prefilter	
	arm concentration	
	Electronically controlled silicone oil clutch	
	Fuel refueling pump 50L/min	

Working device	Hydraulic thumb pliers
	Scarifier
	Vibrating tamper
	Hydraulic shear
	Grab tool
	High frequency crusher
	Shell bucket
	Plum grab bucket
	Screen bucket
	Pipe grabbing machine
Others	Camera
	Walking alarm
	5V USB interface
	12V cigarette lighter
	12V power interface
	Front working lamp installed on the top of cab
	Rear working lamp installed on the top of cab
	200kg vice counterweight(two for options)
	Electric self-lubrication system
	Arm concentration

Item	unit	Main specifications	
Engine	Four strokes	√	
	Water cooling	√	
	Turbocharging	√	
	Air-to-air intercooler	√	
	No.of cylinders	6	
	Rated power	kw/rpm	150/2050
	Maximum torque/speed	N.m/rpm	825/1250
	Displacement	L	6.7
	Travel Speed	km/h	5.3/3.6
	Swing Speed	r/min	11.2
Main Performance	Gradeability	°	35
	Ground pressure	kPa	56.7
	Bucket digging force	kN	185
	Arm digging force	kN	129
	Maximum tractive force	kN	199
Hydraulic System	Main pump	/	/
	Rated flow of main pump	L/min	2×241
	Main safety valve pressure	MPa	34.3/37.0
	Travel system pressure	MPa	34.3
	Swing system pressure	MPa	25
	Pilot system pressure	MPa	3.9
	Fuel tank capacity	L	400
Oil Capacity	Hydraulic tank capacity	L	220
	Engine oil capacity	L	19.5
Standard	Length of boom	mm	6000
	Length of arm	mm	2964
	Bucket capacity	m³	1.3

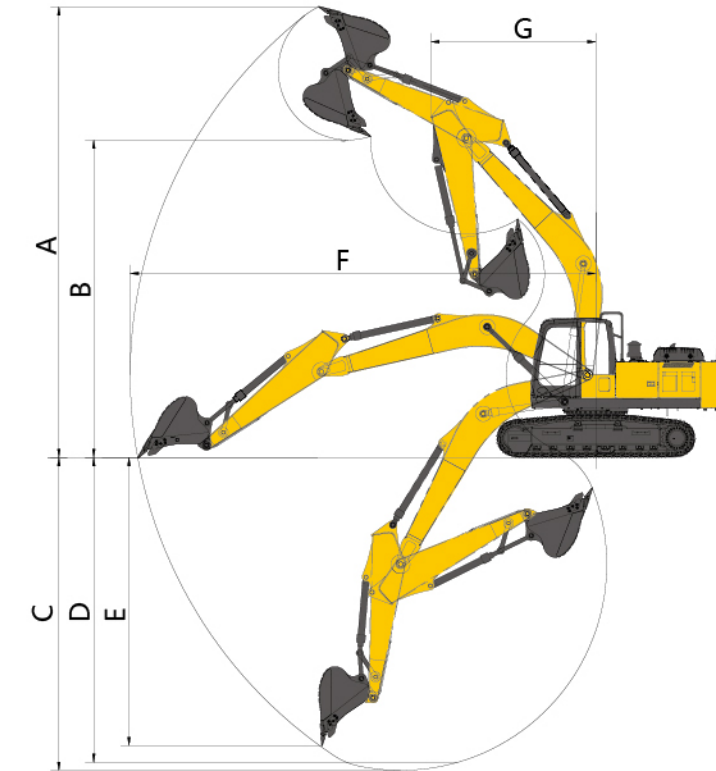
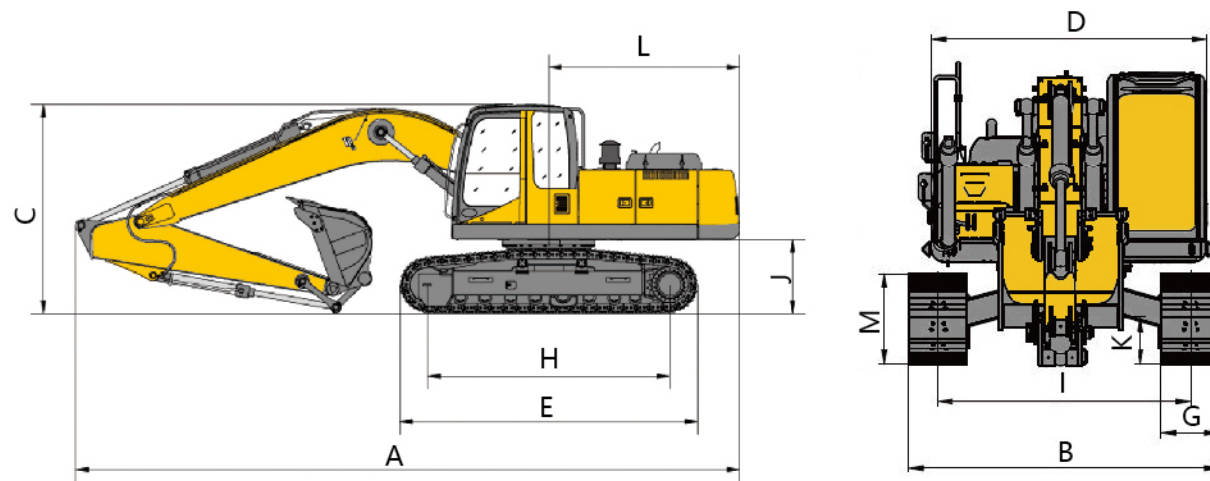
Main Specifications

Item	unit	Main specifications
Sales Model	/	XE245DK
Operating Weight	Kg	25500
Bucket Capacity	m³	0.9-1.4
Engine	Engine Model	QSB6.7
	Electronic Injection	√

Dimensions

Item	Unit	Parameters
A Overall length	mm	10170
B Overall width	mm	3190
C Overall height	mm	3130
D Width of platform	mm	2996
E Track Length	mm	4445
F Total Width of Chassis	mm	3190
G Track Shoe Width	mm	600
H Length to Center of Rollers	mm	3655
I Track Gauge	mm	2590
J Counterweight Clearance	mm	1062
K Minimum Ground Clearance	mm	490
L Minimum Tail Swing Radius	mm	2955
M Track Height	mm	943

Appearance size



Working Range

Item	Unit	Parameters
A Max. digging height	mm	10048
B Max. dumping height	mm	7123
C Max. digging depth	mm	6972
D Maximum depth cut for 2240mm(8 ft) level bottom	mm	-
E Max. vertical wall digging depth	mm	5567
F Max. digging radius	mm	10240
G Min. swing radius	mm	3510

Working scope

Lifting Capacity

Lifting point height (m)	Rated lift capacity – Straight ahead (back) (kg)					Rated lift capacity – over-side (kg)						
	Lifting point radius (m)					Lifting capacity at maximum radius	Lifting point radius (m)					Lifting capacity at maximum radius
	1.5	3	4.5	6	7.5		1.5	3	4.5	6	7.5	
7.5						*3660						*3090
6				*4940	*4940	*4590				*4940	4530	*3960
4.5			*7010	*6190	*5460	*3990			*7010	6220	4410	3600
3			*9550	*6770	5640	*4060			*7960	5255	4100	3315
1.5			*11490	*7650	5390	*4130			6960	5350	3680	3215
Ground			*11650	7930	5160	*4320			7060	4970	3670	2950
-1.5		*9740	*11440	8100	5195	*4540		*9740	7520	5150	3460	2830
-3	*12390	*12300	*10920	8230		5640	*12390	*10920	7590	5090		3570
-4.5		*15070	*9595			*6800		*14190	7825			4700

Capacities marked with an asterisk(*) are limited by hydraulic capacities.



Machmall.com is an electromechanical product platform officially launched by XCMG, aiming to provide global customers with a complete set of high-quality construction machinery solutions and supporting equipment.

Xuzhou Construction Machinery Group Co., Ltd. (XCMG Group), founded in 1943, is the fourth largest worldwide construction machinery manufacturer and the largest in China with products covering 183 countries and regions.

XCMG have 12 complete solutions: Crane lifting, Mining Construction, Earth-moving Solutions, Road Machinery, Concrete Equipment, Tunnel and Underground Space Construction, Mobile Elevating Work Platform (MEWP), Piling and Non-excavation Equipment, Transportation Equipment, Environmental Sanitation Equipment, Firefighting, Safety and Emergency Rescue

徐工徐工，助您成功

— XCMG for your success —

